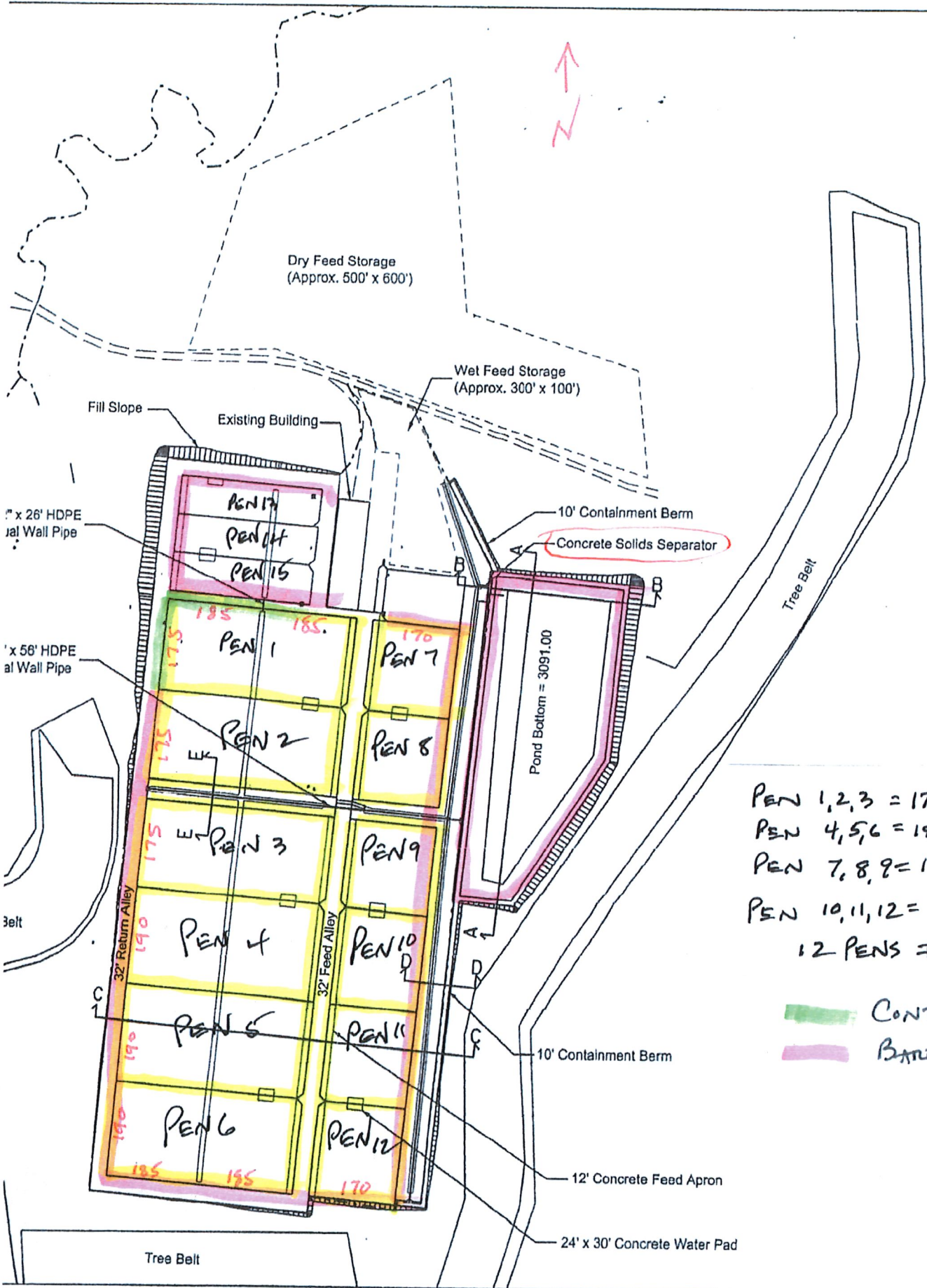


NOTES FOR PAGE 1

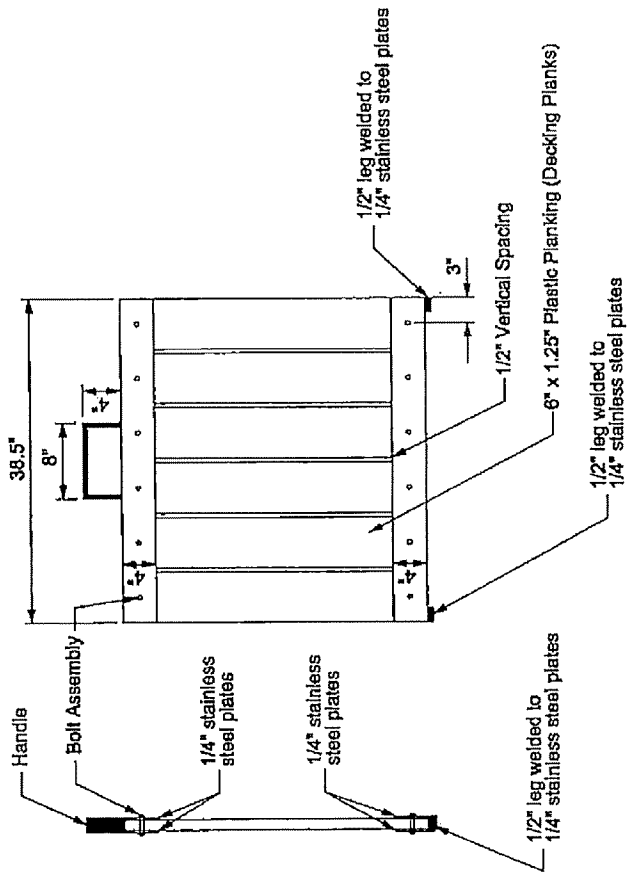
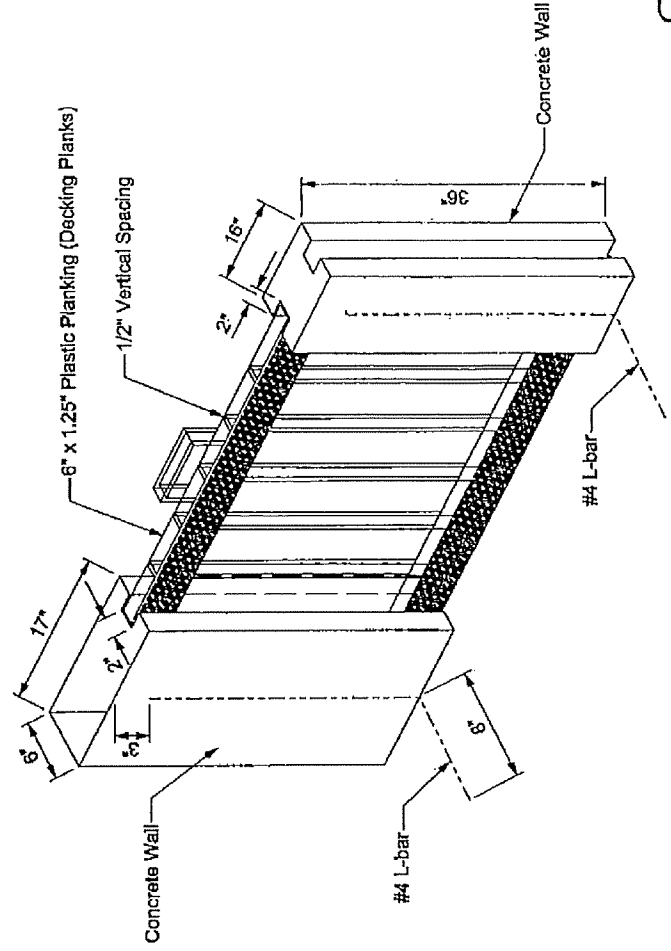
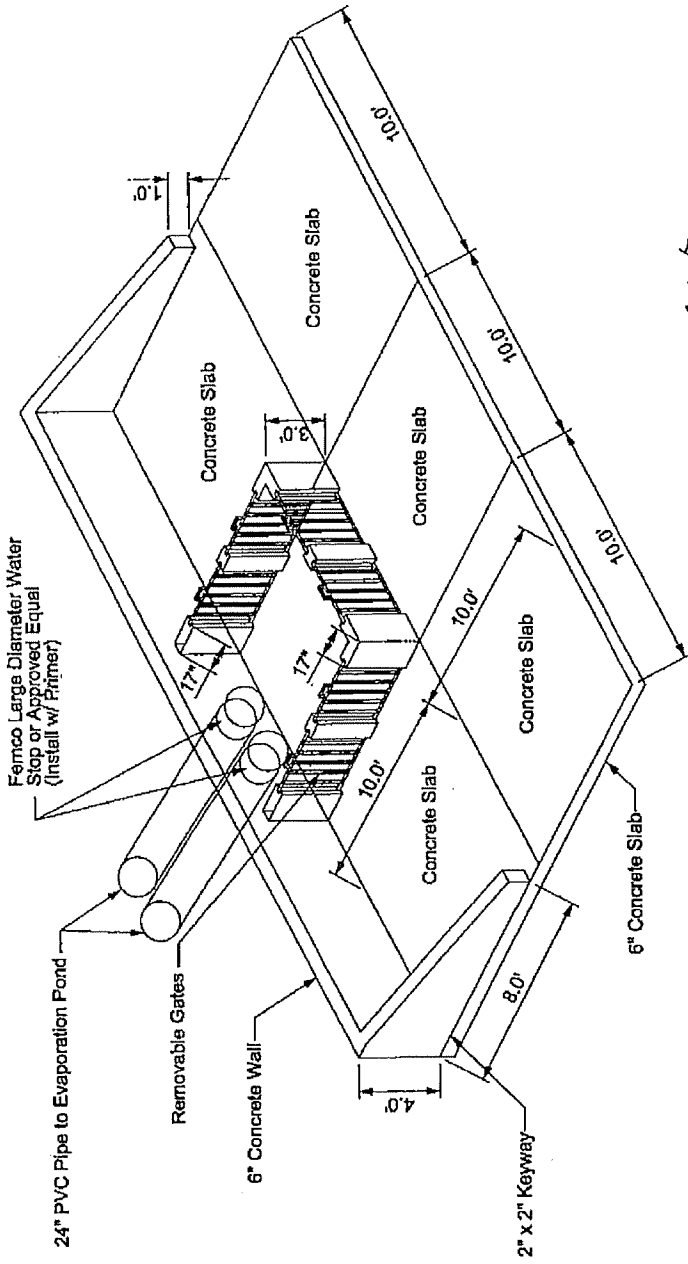
Sheet one shows original feedlot design with 15 pens & 8 waterers. All dirt work, excavating, drainage ditches, containment berm, holding pond completed to USDA specifications. Approximately 1100ft of 8ft concrete feed pad on each side of feed alley completed. Barbed wire perimeter fence around pens 13, 14, 15 and inclusive around all other pens except approximately 500ft continuous fence north & west side of pen 1 completed as was barbed wire perimeter fence around holding pond. Concrete solids separator with stainless steel gates completed. Pens 1 & 2 converted to 1 large pen with U shaped concrete feed bunks & cable for feeding. Pens 7 & 8 converted to 1 large pen with U shaped concrete feed bunks & cable for feeding. All other pens not completed other than 8ft concrete feed pad & barbed wire perimeter fence. Concrete water pads & waterers not completed.

(2) 1100' not 660' ⁽¹⁾



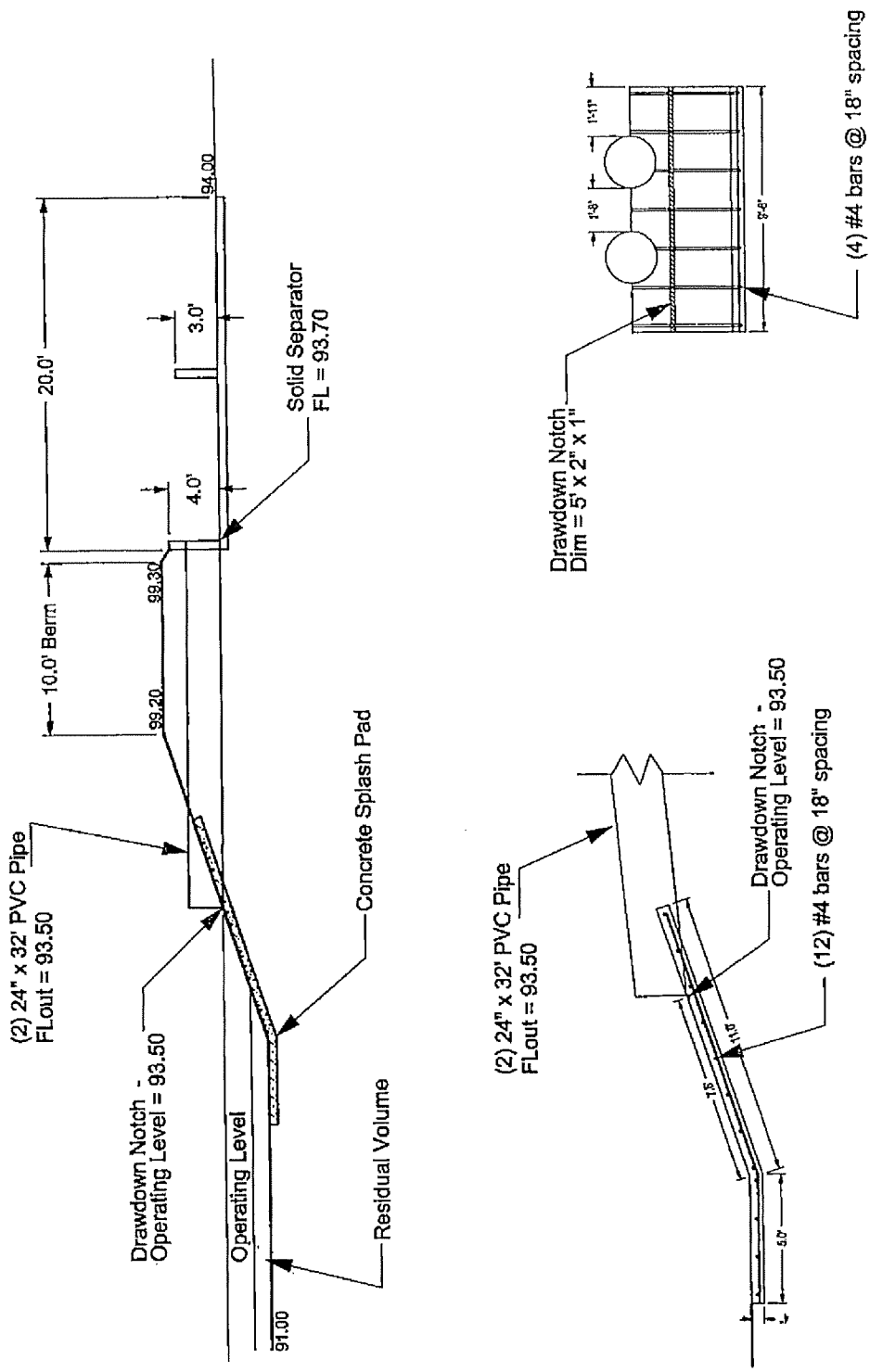
PEN 1, 2, 3 = 175'W x 370'L
 PEN 4, 5, 6 = 180'W x 370'L
 PEN 7, 8, 9 = 175'W x 170'L
 PEN 10, 11, 12 = 190'W x 170'L
 12 PENS ⇒ 12/16' gates

CONT. FENCE
 BARBED WIRE



Notes: All concrete shall be reinforced w/ #4 rebar spaced 18" O.C. #4 L-bars shall be placed @ 18" spacing to tie walls
 1 ... SolidsSeparatorDetails.dgn 7/29/2009 2:43:44 PM\mcontrol structure





CM Services

(4)

P.O. Box 362
702 4th Ave. NE
Bowman, ND 58623

Estimate

Date 9/15/2009
Estimate:# 21

Name / Address
Berk Bowman

P.O. #

Terms

Due Date 9/15/2009

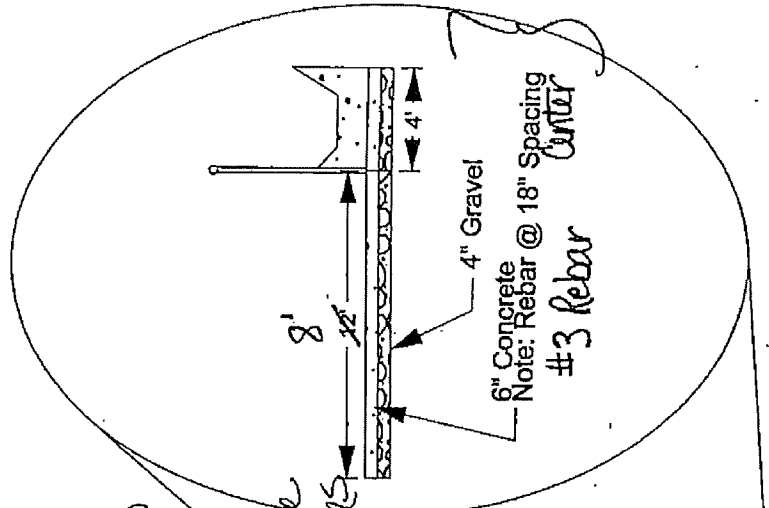
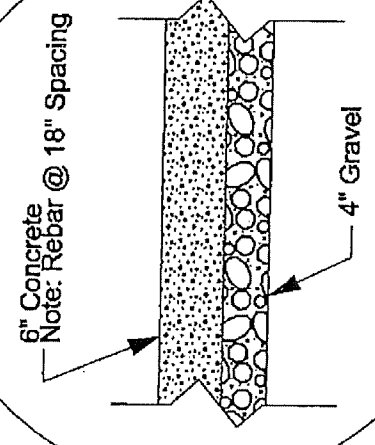
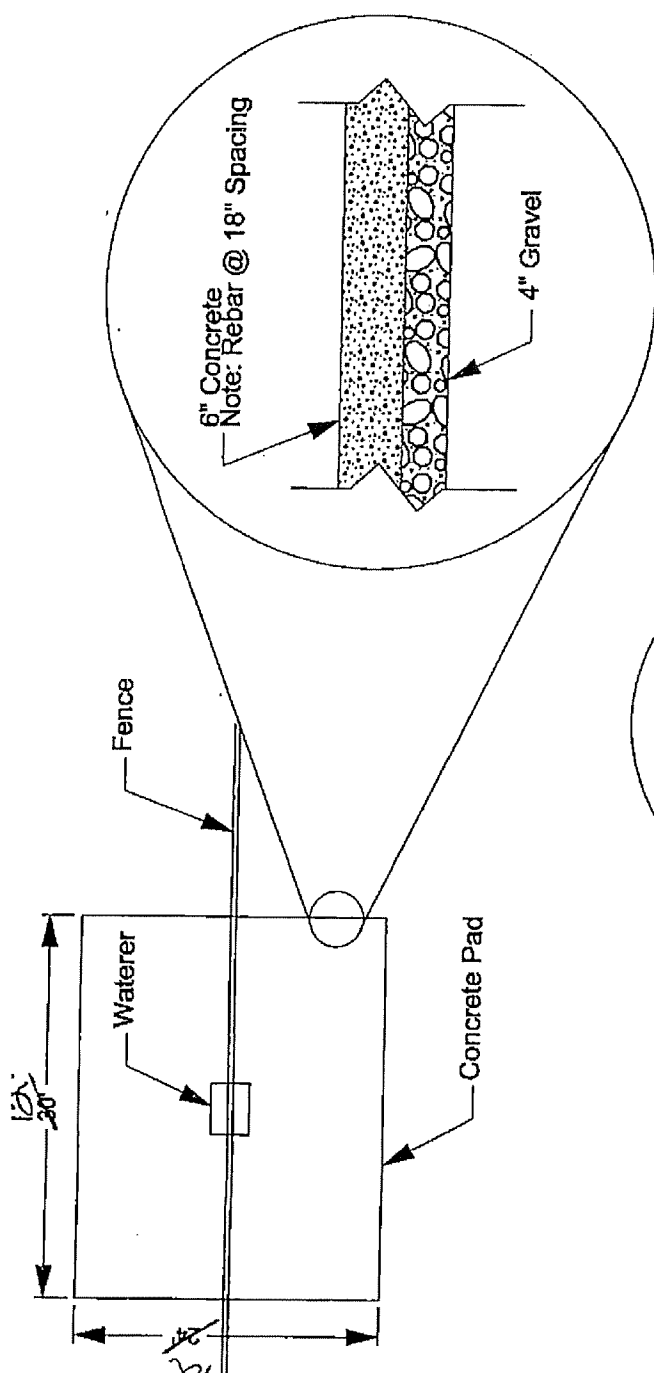
Other

Description	Qty	Rate	Total
Labor and material to form and pour concrete for feedlot. Estimate consists of - 2500 ft. of 6" X 16' reinforced concrete slab - Solid seperator as drawn up by Brosz Eng. - 6 Waterer pads <i>Not Completed</i> - 1 Valley Gutter 10' X 50'	1	280,992.25	280,992.25
		Subtotal	\$280,992.25
		Sales Tax (5.0%)	\$0.00
		Total	\$280,992.25

ckmeschke@ndsupernet.com

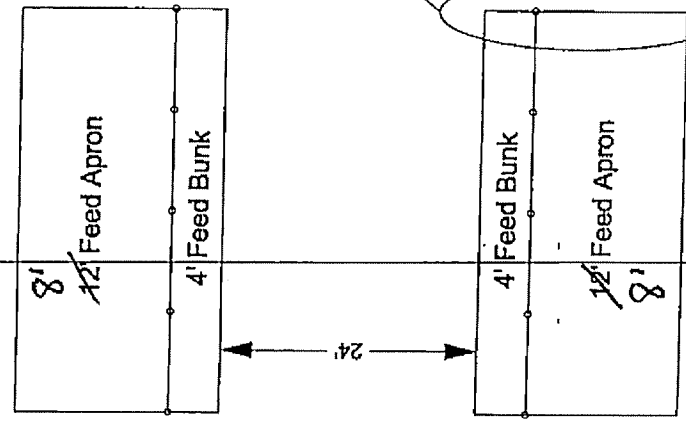
Phone # 701-523-3913 / Cell 523-6877

⑤
 4/28/2010
 SM



still the requirements for the 8' apron.

Again these changes are for financial assistance maximums



EDGE Max. financial assistance 10' x 10' in 12' x 12' concrete pads.

